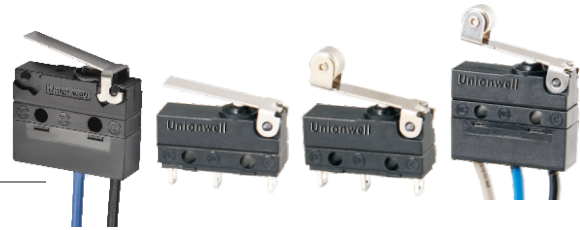


G9 Series

Waterproof Micro Switch



■ Features

- Dust and Water Proof(IP67)Designed
- Small Compact Size
- Long Life,High Reliability
- Vareity of Terminals and Levers
- Widely used in Auto Control,Appliance and Other Industry Control

■ Application

- | | |
|---------------------|---------------------|
| ◆Car | Game Controller |
| ◆Phone | Pump |
| ◆Air-Conditioner | Gas Detector |
| ◆Computer | Pencil Sharpener |
| ◆Humidifier | Money Sorter |
| ◆Alarmer | Food Processor |
| ◆Timer | Electric Knife |
| ◆Mixer&Meat Grinder | Toy Car |
| ◆Welding Machine | Juice Extractor |
| ◆Neon Phone | Lighting Equipment |
| ◆Fax Machine | Electric Frying Pan |

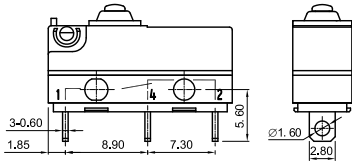
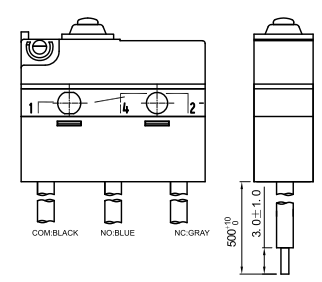
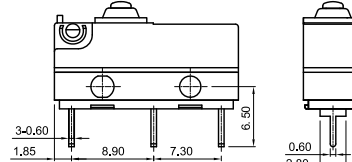
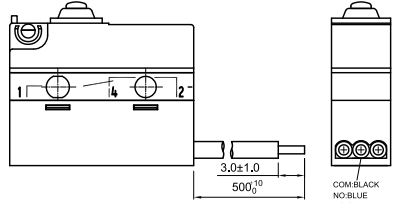
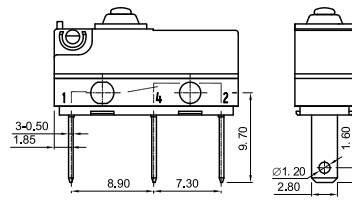
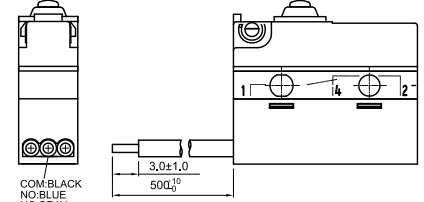
■ Parameters:

Rating	P1	0.1A 125/250VAC 48VDC Gold Plated Contact Optional
	05	UL: 5A 125/250VAC ENEC:6A 125/250VAC 1E4;3A 125/250VAC 30VDC 25T120 μ5E4
Operating Frequency	Electrical	10~30 cycles/minute
	Mechanical	120 cycles/minute
Contact Resistance(Intial Value)		100mΩ Max(It depends on the wire length for the type with wire)
Insulation Resistance(at 500VDC)		100mΩ Min
Dielectric Strength		1,000VAC RMS (50~60Hz)
Operating Temperature		-25°C~+120°C
Operating Humidity		85%RH Max
Service Life	Electrical	10,000~100,000 cycles(Depend on part NO.)
	Mechanical	500,000 cycles

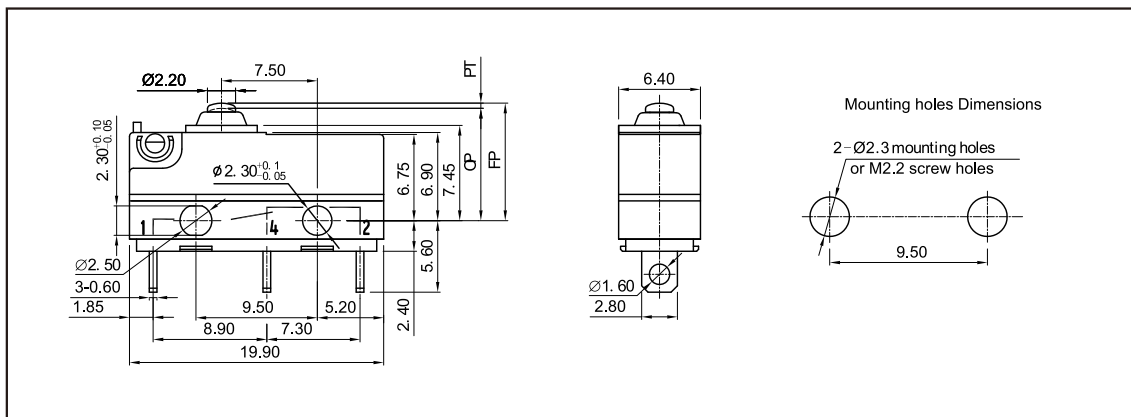
G9 Series Micro Switch Ordering Instruction

G9	05	200	S	00	D	1	A			
Switch Type	Electrical Rating	Max Operating Force at pin Plunger	Terminal Style	Lever Type	Construction	Circuit Code	Special Designator	AWG Type (for wire type only)	AWG Number (for wire type only)	Wire length
G9 Series Micro Switch	P1	150 150gf Max. Only for G9P1	S Solder Terminals	00 Spherical Pin Plunger	D Dust proof-Ip00 No wire.	1 SPDT	General Temperature grade 25T120)	20#	UL1007	Standard length:500mm
	00	200 200gf Max.	F Straight PCB Terminals (0.6mm wide)	01 Short Straight Lever 17.7(0.70")	W Water tight-Ip67 With lead wires	2 SPST-NC	A Gold Plated Contacts (Optional Only for G9P1)	F 22#	B UL1569	
		300 300gf Max.	D 110#Quick Connect Terminals (2.8X0.5mm)	02 Std. Straight Lever 19.7(0.78")		3 SPST-NO	D Special use for high DC rating	G 24#	C UL1430	
			E Wires leads to bottom(500mm)	03 Long Straight Lever 25.8(1.02")			B Peg Mounting Optional (opposite to plunger)	H 26#	D UL1061	
			F Wires leads to side(500mm) (opposite to plunger)	05 Small Simulated Roller Lever 18.9mm (0.75")			C Peg Mounting Optional (plunger side)	M 28#	E UL1330	
			G Wires leads to side(500mm) (plunger side)	06 Roller Lever 15.7mm (0.62")			E Peg Mounting Optional (No Lever)		F AVSS	
			*** Special Terminals	07 Small Simulated Roller Lever 19.0mm			N With ATEX Marking		G UL3266	
				12 Longest Straight Lever 56.2mm (2.23")			1000 Custom code		H UL1332	
				*** Other			*** Other		K UL1015	

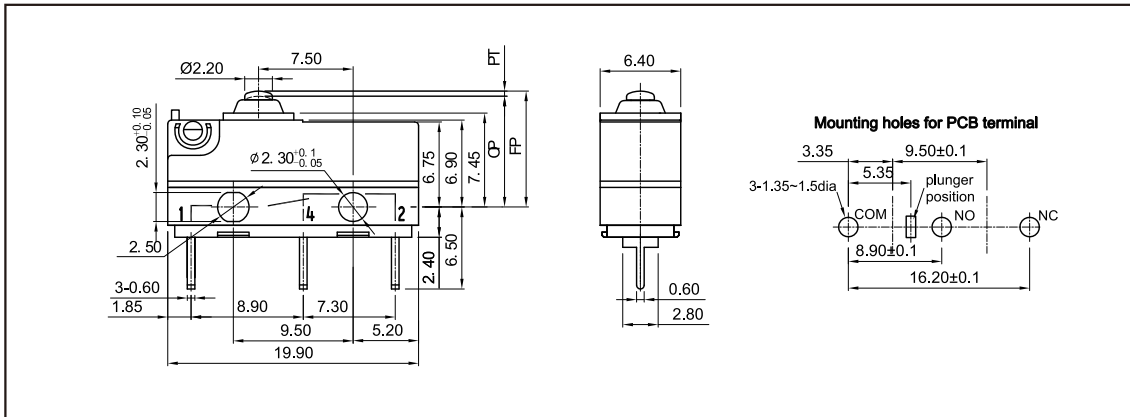
Terminal Type

S#: Solder Terminals	E#: Wires Leads to Bottom(500mm length)
	
P#: Straight PCB Terminals	F#: Wires Leads to Side(Opposite to Pin plunger side),
	
D#: 110#Quick Connet Terminals:2.8x0.5mm	G# Wire Leads to Side (Pin plunger side),length:500mm
	



Mounting Hole Dimensions and Operating Characteristics



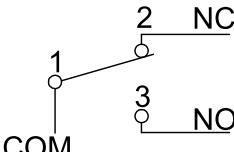
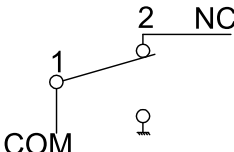
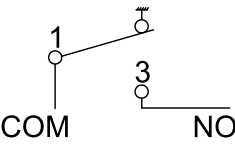
■ Mounting Hole Dimensions and Operating Characteristics



■ IP grade

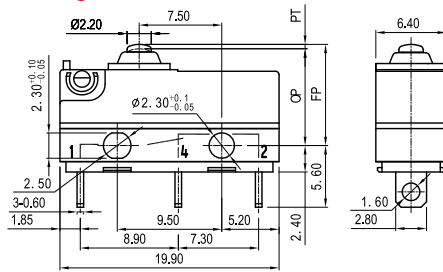
D#: Without Lead Wires Type, Plunger and Body are Water Proof(IP67);Terminals are not Waterproof (IP00)	W#: With Lead Wires Type, water Proof (IP67)
	

■ Circuit Configuration

1# SPDT	2# SPST-NC	3# SPST-NO
		

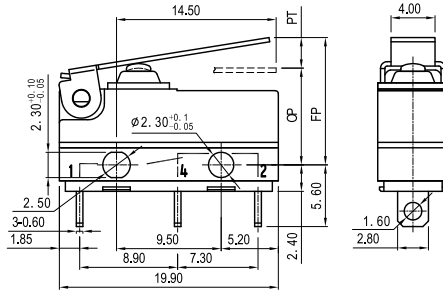
Dimensions and Operating Characteristics

◆G9□□-□□□S00D1



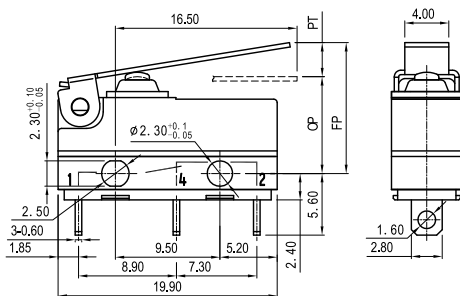
OF Max (gf)	RF Min (gf)	PT Max (mm)	OT Min (mm)	DT Max (mm)	FP Max (mm)	OP (mm)
150	150	30	1.2	0.6	0.2	9.4
-200	200	50	1.2	0.6	0.2	9.4

◆G9□□-□□□S01D1



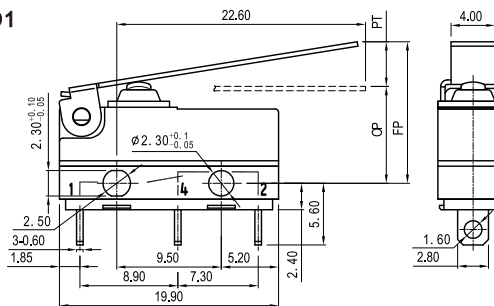
OF Max (gf)	RF Min (gf)	PT Max (mm)	OT Min (mm)	DT Max (mm)	FP Max (mm)	OP (mm)
-150	50	8	4.3	0.6	0.7	12.0
-200	90	15	4.3	0.6	0.7	12.0

◆G9□□-□□□S02D1



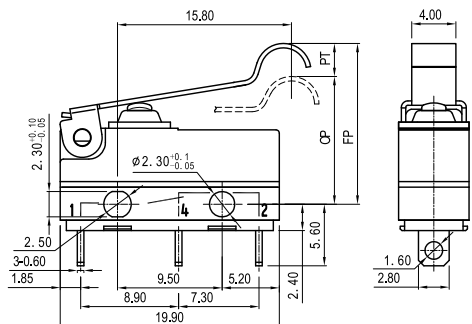
OF Max (gf)	RF Min (gf)	PT Max (mm)	OT Min (mm)	DT Max (mm)	FP Max (mm)	OP (mm)
-150	50	6	4.8	0.7	0.8	12.5
-200	75	13	4.8	0.7	0.8	12.5

◆G9□□-□□□S03D1



OF Max (gf)	RF Min (gf)	PT Max (mm)	OT Min (mm)	DT Max (mm)	FP Max (mm)	OP (mm)
-150	40	5	6.3	1.0	1.0	13.5
-200	55	8	6.3	1.0	1.0	13.5

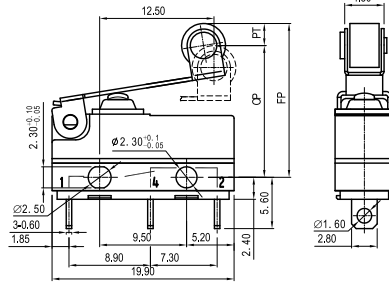
◆G9□□-□□□S05D1



OF Max (gf)	RF Min (gf)	PT Max (mm)	OT Min (mm)	DT Max (mm)	FP Max (mm)	OP (mm)
150	50	6	4.6	0.7	0.8	15.5
-200	75	12	4.6	0.7	0.8	15.5

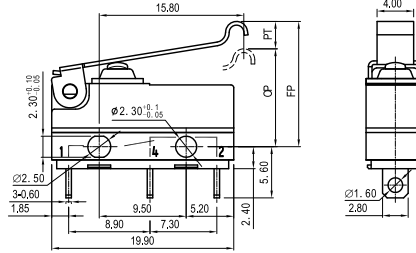
Dimensions and Operating Characteristics

◆G9□□-□□□S06D1



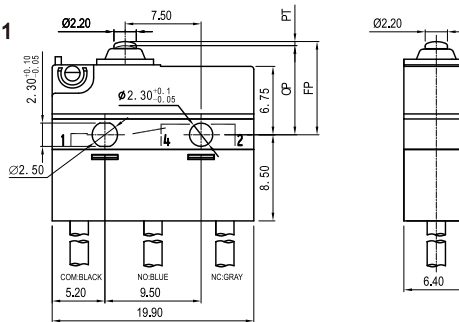
OF Max (gf)	RF Min (gf)	PT Max (mm)	OT Min (mm)	DT Max (mm)	FP Max (mm)	OP (mm)
150	65	10	4.3	0.6	0.7	17.5
-200	85	15	4.3	0.6	0.7	17.5

◆G9□□-□□□S07D1



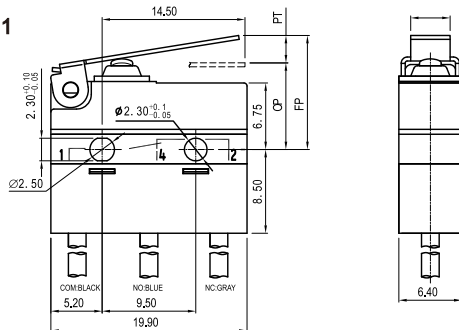
OF Max (gf)	RF Min (gf)	PT Max (mm)	OT Min (mm)	DT Max (mm)	FP Max (mm)	OP (mm)
150	50	9	4.6	0.7	0.8	14.0
-200	75	12	4.6	0.7	0.8	14.0

◆G9□□-□□□E00W1



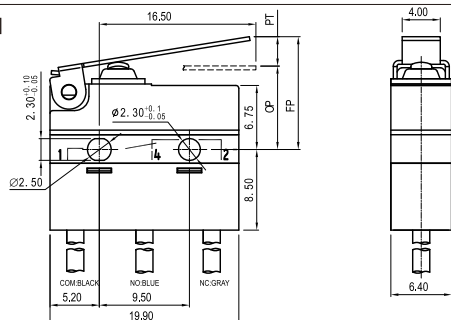
OF Max (gf)	RF Min (gf)	PT Max (mm)	OT Min (mm)	DT Max (mm)	FP Max (mm)	OP (mm)
-150	150	30	1.2	0.6	0.2	9.4
-300	300	70	1.2	0.6	0.2	9.4

◆G9□□-□□□E01W1



OF Max (gf)	RF Min (gf)	PT Max (mm)	OT Min (mm)	DT Max (mm)	FP Max (mm)	OP (mm)
-150	50	8	4.3	0.6	0.7	12.0
-300	105	20	4.3	0.6	0.7	12.0

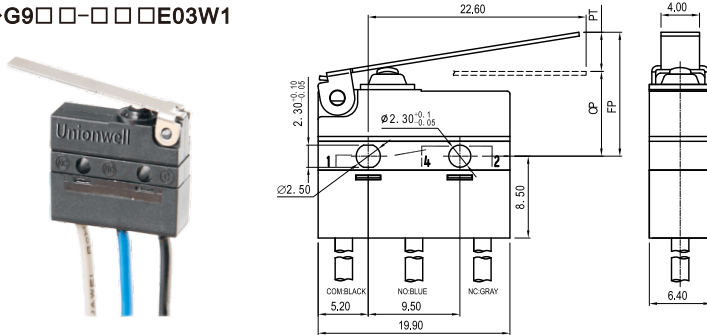
◆G9□□-□□□E02W1



OF Max (gf)	RF Min (gf)	PT Max (mm)	OT Min (mm)	DT Max (mm)	FP Max (mm)	OP (mm)
-150	50	6	4.8	0.7	0.8	12.5
-300	95	18	4.8	0.7	0.8	12.5

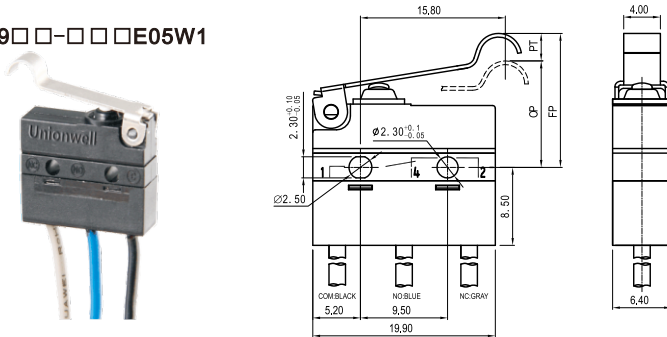
Dimensions and Operating Characteristics

◆G9□□-□□□E03W1



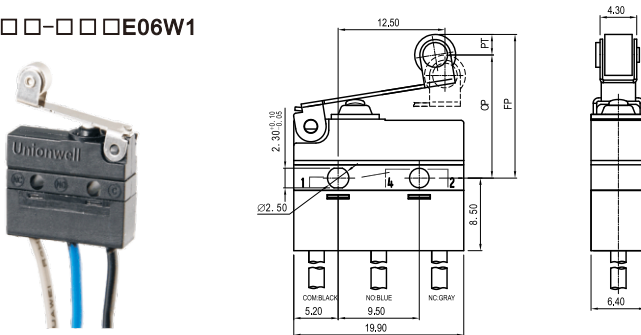
OF Max (gf)	RF Min (gf)	PT Max (mm)	OT Min (mm)	DT Max (mm)	FP Max (mm)	OP (mm)
-150	40	5	6.3	1.0	1.0	13.5
-300	75	13	6.3	1.0	1.0	13.5

◆G9□□-□□□E05W1



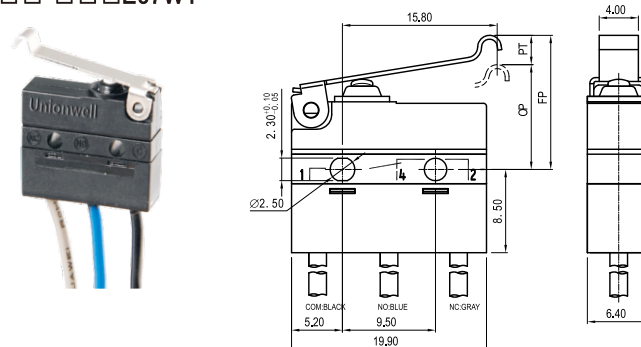
OF Max (gf)	RF Min (gf)	PT Max (mm)	OT Min (mm)	DT Max (mm)	FP Max (mm)	OP (mm)
-150	40	6	4.6	0.7	0.8	15.5
-300	95	18	4.6	0.7	0.8	15.5

◆G9□□-□□□E06W1



OF Max (gf)	RF Min (gf)	PT Max (mm)	OT Min (mm)	DT Max (mm)	FP Max (mm)	OP (mm)
-150	65	10	4.3	0.6	0.7	17.5
-300	110	25	4.3	0.6	0.7	17.5

◆G9□□-□□□E07W1



OF Max (gf)	RF Min (gf)	PT Max (mm)	OT Min (mm)	DT Max (mm)	FP Max (mm)	OP (mm)
-150	50	6	4.6	0.7	0.8	14.0
-300	95	18	4.6	0.7	0.8	14.0