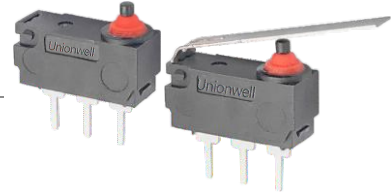


G304A Series

High Reliability Sealed Slide Type Micro Switch



■ Features

- Small Electrical Rating and High Contact Reliability Switch
- Sliding Contact Mute Structure
- can be widely applied in different environments, IP67 rated
- Widely Used in Home Appliances,Electronic Equipments, Automatic Machines,Communication Equipments, Auto Electronics,Apparatus and Instrument,Power Tool etc

■ Application

- Home Appliance
- Electronic Equipments
- Automatic Equipments
- Communication Equipments
- Auto Electronics
- Apparatus and Instruments

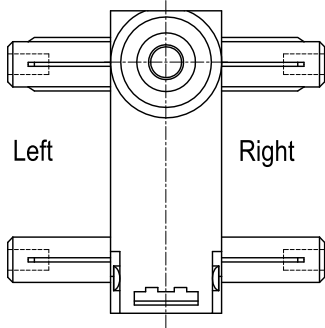
■ Parameters

Operation Speed		1~500mm/s
Operation Frequency		120 cycles/min
Insulation Resistance		≥100mΩ
Contact Resistance (Initial Value)	with terminals type	≤100mΩ
	with wire type	≤500mΩ(Standard Wire Length 300mm)
Voltage Resistance	Between terminals	600VAC,50/60Hz,1min.
	Between terminals and uncharged metal parts	1500VAC,50/60Hz,1min.
Vibration Resistance	No transformation action	10-55Hz 1.5mm(double amplitude)
Service Life	Electrical	300,000 cycles(20 cycles/minte) 0.1A 12VDC 50μA 3VDC
	Mechanical	300,000 cycles(30 cycles/min)
Storage Temperature		-40°C~+85°C
Storage Humidity		85%RH Max

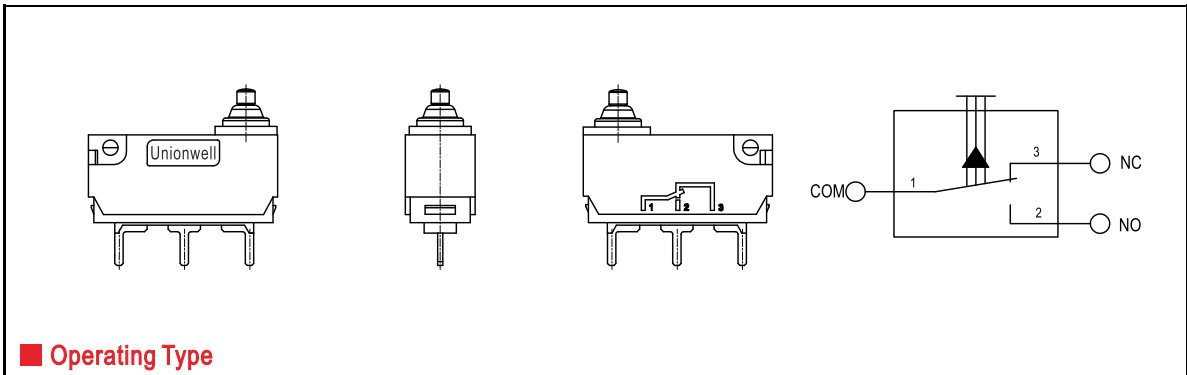
G304A Series Micro Switch Ordering Instruction

G3	04A	150	E	27	D	49	A	E	A	B	280	T001
Switch Type	Electrical Rating	Operating Force at Pin Plunger, Max.	Terminal Style	Lever Type	Circuit Code	Shape and Posts	Posts Dimension	AWG Type/ Wire type only	AWG Number (For Wire type only)	Type of wires outline	Wire length	Special Designator
G304A Series Micro-Switch	04A 0.1A/12VDC 50 ± 1A/3VDC	150 150gf/Max. ... Other	E T shape PCB terminals	No lever Pin Plunger	D Slide Non-short Circuit Type 1,3 Contact 1,2 SPDT	49 no post	A Standard posts 2.60mm x 5.0mm	NO molded lead wires	NO molded lead wires	Wires leads to bottom	300mm length standard lead wires 300mm	70xx Special code
			P Standard PCB terminals	27 Straight Leaf lever	E Slide Type, SPS-NO 1,2	50 left posts	B φ2.6X1.5mm posts.	A UL 1007	Mod lead wires on left side	B Mod lead wires on left side	280 280mm length	... Other
	V Solder terminals	... Other	F Slide Type, SPS-HC 1,3	51 right posts		F AVSS	Mod lead wires on left side	... Other				
	L Left side PCB terminals			52 two side posts								
	R Right side PCB terminals											
	... Other											

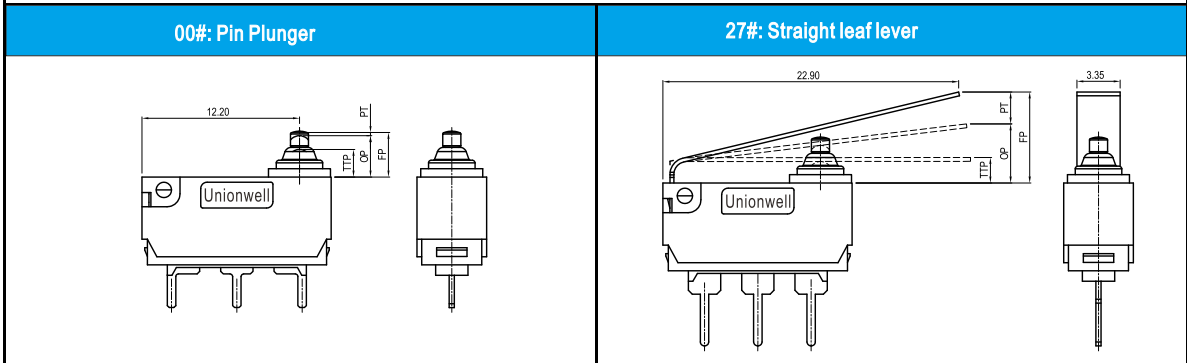
■ Posts direction define



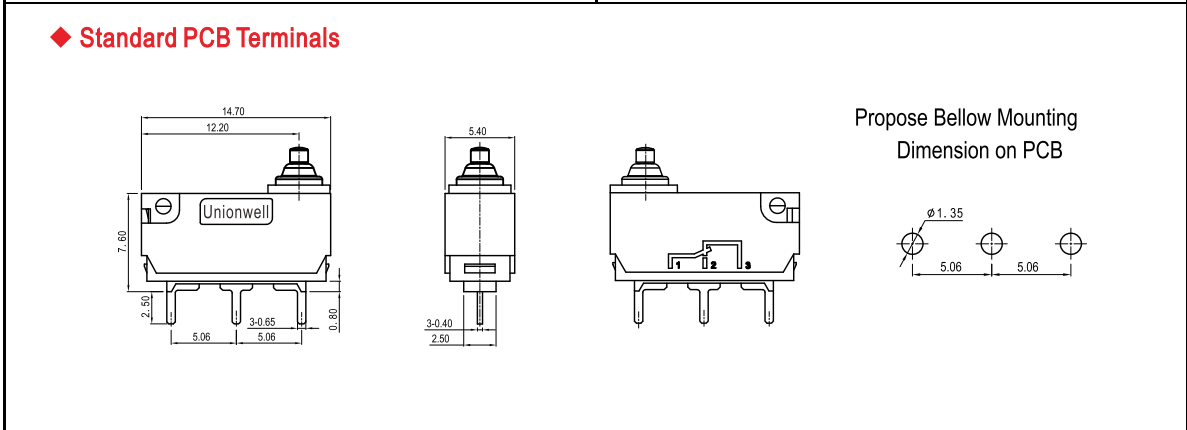
■ Circuit Configuration



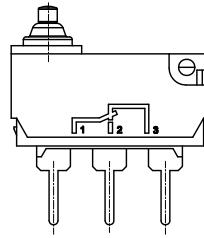
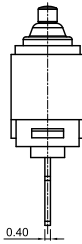
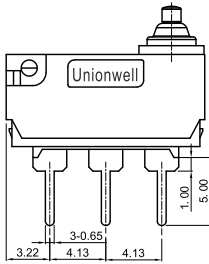
■ Operating Type



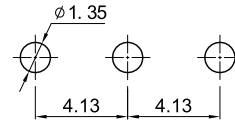
◆ Standard PCB Terminals



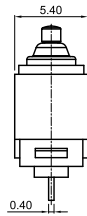
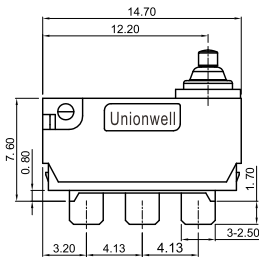
◆ **T Shape PCB Terminals**



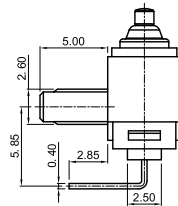
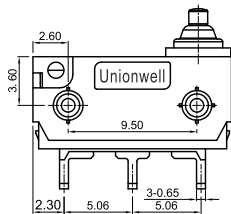
Propose Bellow Mounting
Dimension on PCB



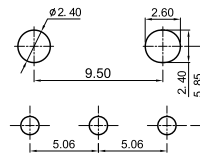
◆ **Solder Terminal**



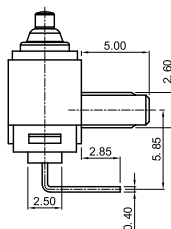
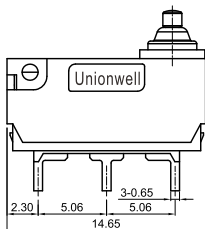
◆ **Right PCB Terminals**



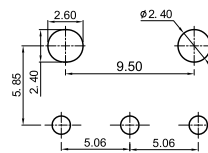
Propose Bellow Mounting
Dimension on PCB



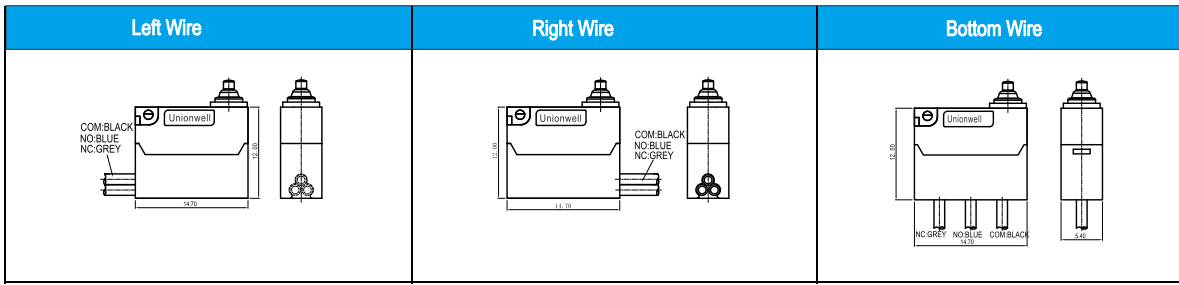
◆ **Left PCB Terminals**



Propose Bellow Mounting
Dimension on PCB

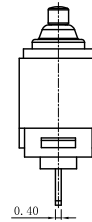
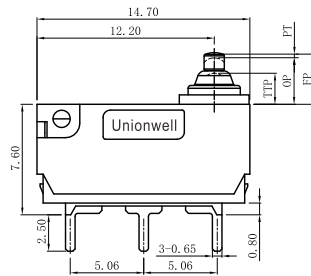


◆ Wire Leads



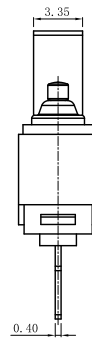
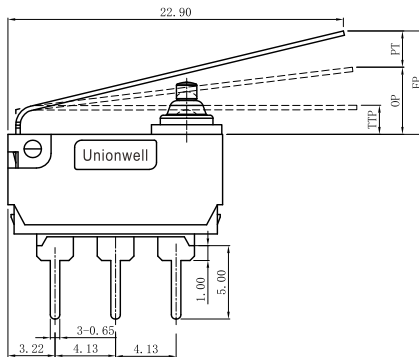
■ Dimensions and Operating Characteristics

◆ G304A-150E 49



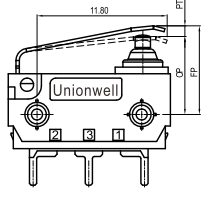
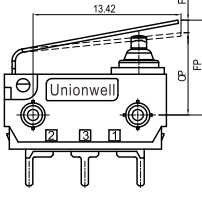
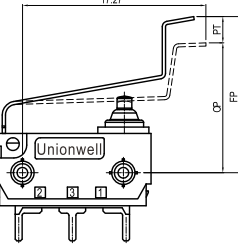
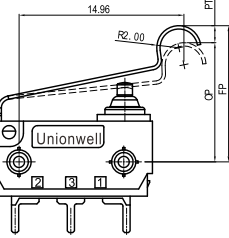
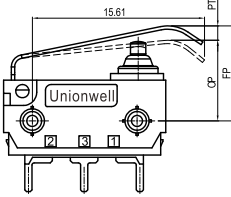
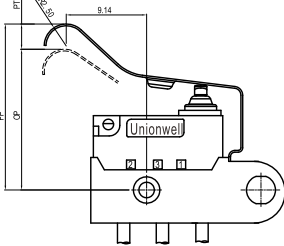
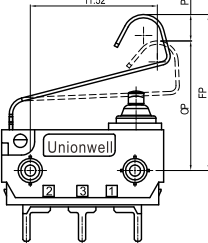
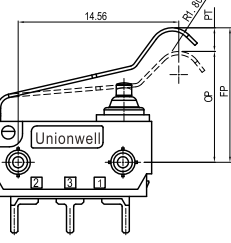
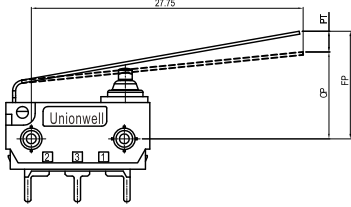
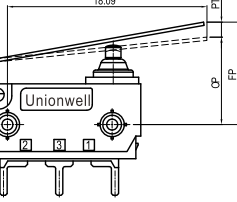
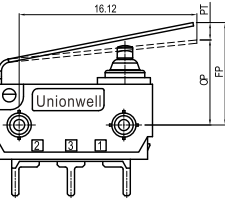
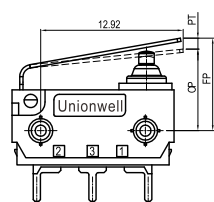
OF Max (gf)	TTP Max (mm)	FP Max (mm)	OP (mm)
150	1.6	3.65	3.2±0.3mm 2.8±0.3mm

◆ G304A-150E27 49



OF Max (gf)	TTP Max (mm)	FP Max (mm)	OP (mm)
200	1.9	8.1	4.56 +0.9/-0.7mm 3.35 +1.2/-0.9mm

G304A Lever List as Shown Below (Same as G303 Lever)

01#: Lever	02#: Lever	04#: Lever
		
05#:Lever	09#:Lever	10#:Lever
		
15#:Lever	22#:Lever	25#:Lever
		
28#:Lever	35#:Lever	36#:Lever
		
41#:Lever		
