

G307B Triple Circuit Loop Momentary Micro Switch



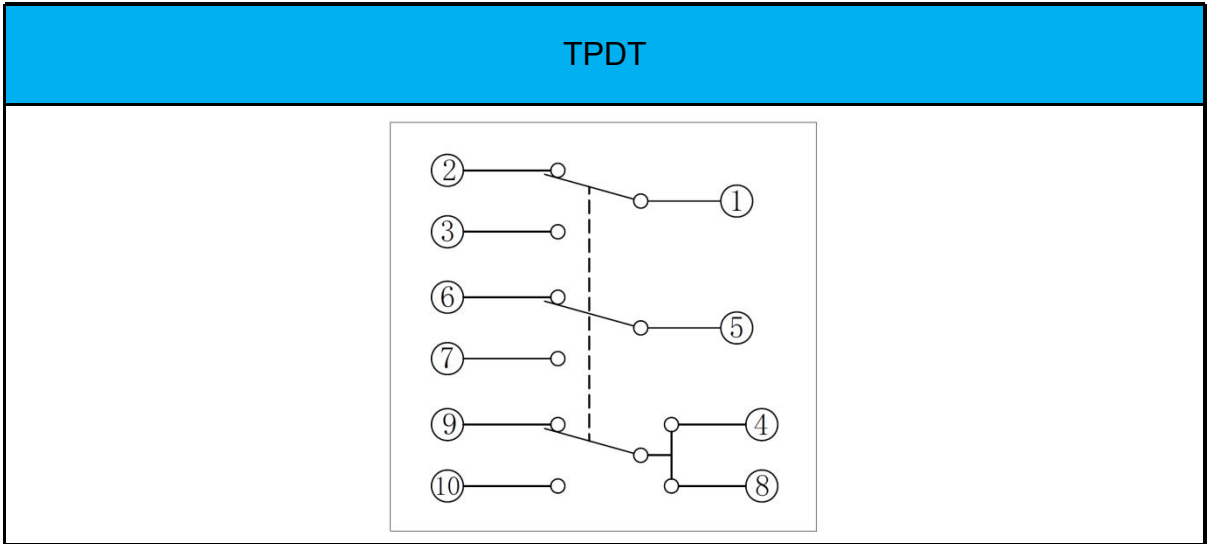
■ Features

- Momentary structure, dual loop synchronization time $\leq 50\text{ms}$;
- Small size, compact structure, high reliability, long life;
- Applied to micro-current load industries such as automotive industry and electronic equipment;
- Two welding processes options – DIP or SMT.

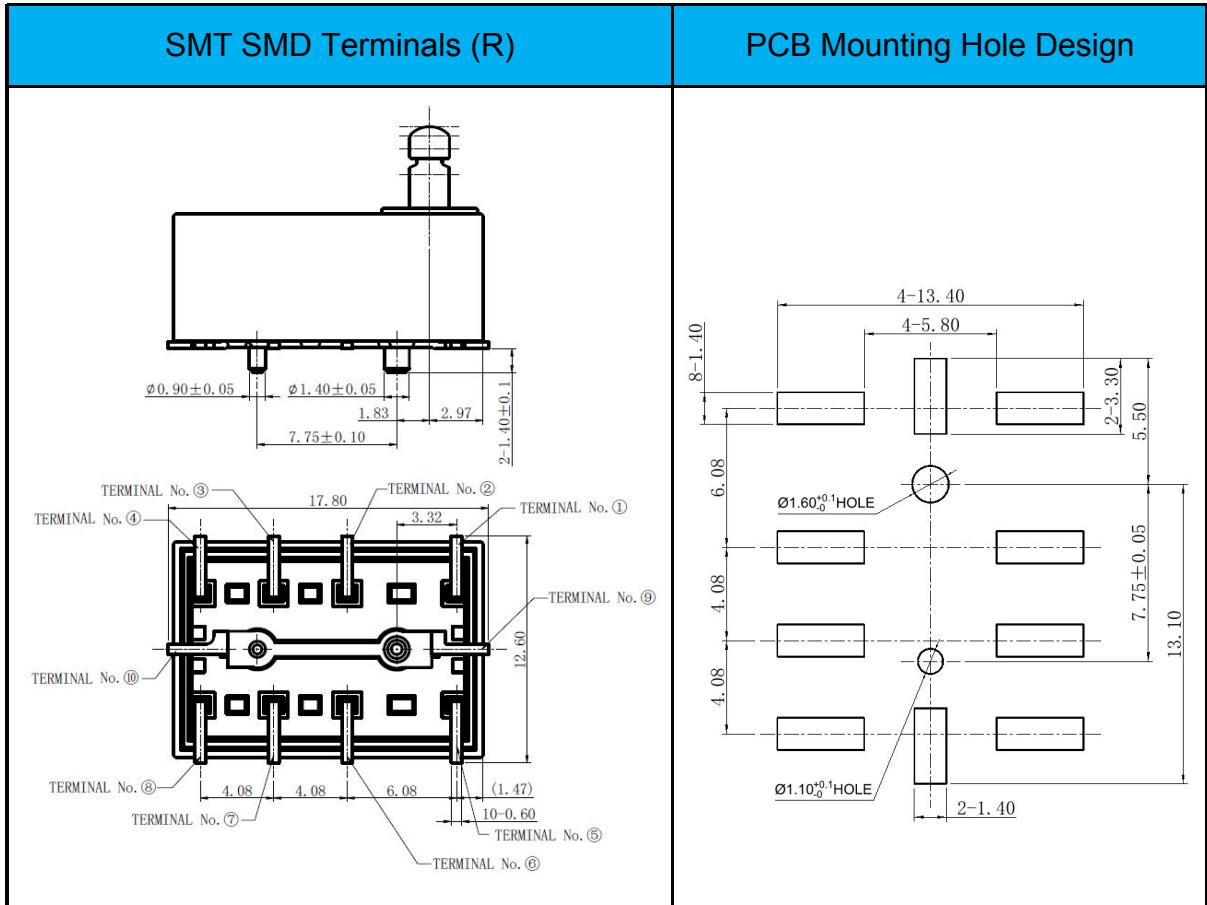
■ Characteristic parameters

Rating	G307B	50mA 18VDC 50 μ A 5VDC
Operating Frequency	Electrical	15~20 Cycles/Min 1~100mm/s
	Mechanical	15~20 Cycles/Min
Initial Contact Resistance		75m Ω Max.
Insulation Resistance		100m Ω Min.
Dielectric Strength		Between terminals: AC100V Between terminal and housing: AC100V
Operating Temperature		-40°C ~+85°C
Service Life	Electrical	150,000 Cycles
	Mechanical	150,000 Cycles

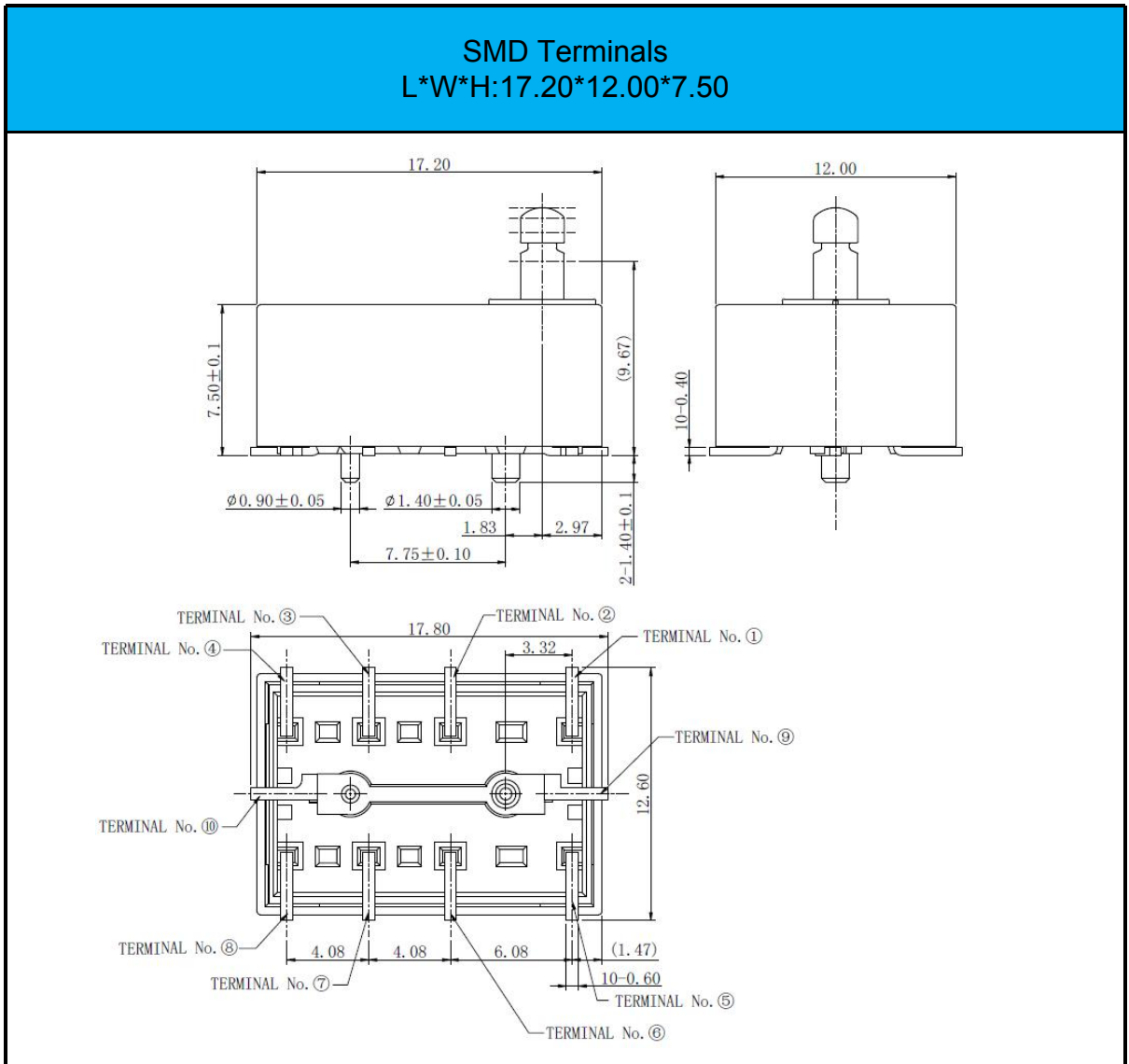
■ Circuit Configuration



■ Terminal Options



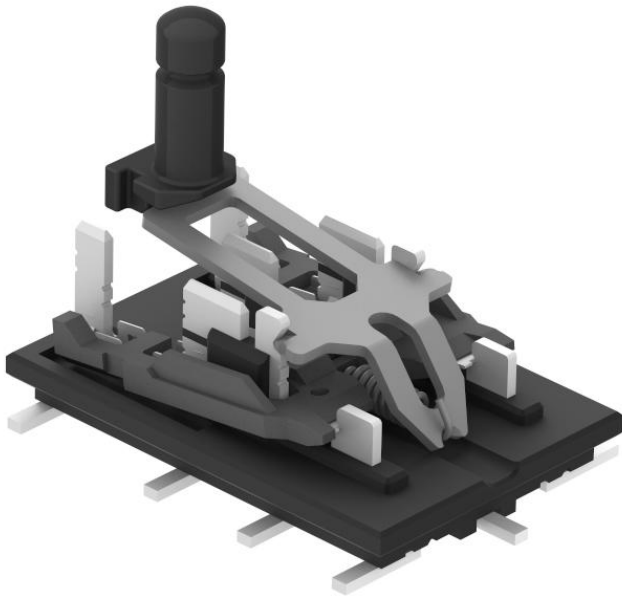
■ Shape and Dimensions



■ G307B Series Ordering Instruction

G3	07B	150	P	00	A	u
Switch Category	Rating	Operating Force (Max Value)	Terminals	Lever	Circuitry	Logo
G3 Series Micro Switch	07 50mA 18VDC 50mA 5VDC	150 150gf Max. ... other	R SMD terminal ... other	00 Pin Plunger Only	A DPDT 1, 2,3 Clipping Contact B DPST-NC 1, 2 Clipping Contact C DPST-NO 1, 2 Clipping Contact	u Unionwell

Product Structure Innovation Design Description



Description of structural features:

1. Triple-loop independent switching circuit;
2. The sliding structure of triple clips is adopted with reliable contact;
3. The double clip contact is molded into an integrated structure by using the plastic wrapping process to accomplish synchronous switching;
4. Momentary switching mechanism of the clip contact is accomplished through the spring strut carrier assembly, whose synchronous switching time is less than 15ms;

Operating Parameters

Terminals	Picture	Operating Parameters Table																		
SMD Terminals		<table border="1" style="width: 100%; text-align: center;"> <thead> <tr style="background-color: #00aaff; color: white;"> <th>OF Max. (gf)</th> <th>RF Min. (gf)</th> <th>TTP max. (mm)</th> <th>RP (mm)</th> <th>FP Max. (mm)</th> <th>OP (mm)</th> </tr> </thead> <tbody> <tr> <td>-150</td> <td>150</td> <td>30</td> <td>9.60</td> <td>11.82±0.37</td> <td>12.3+0.4/-0.16</td> <td>11.12±0.30</td> </tr> </tbody> </table>						OF Max. (gf)	RF Min. (gf)	TTP max. (mm)	RP (mm)	FP Max. (mm)	OP (mm)	-150	150	30	9.60	11.82±0.37	12.3+0.4/-0.16	11.12±0.30
		OF Max. (gf)	RF Min. (gf)	TTP max. (mm)	RP (mm)	FP Max. (mm)	OP (mm)													
-150	150	30	9.60	11.82±0.37	12.3+0.4/-0.16	11.12±0.30														

■ Applications

Widely used in various electronic equipment, automobile handbrake and other fields.



G307B Series Momentary Switch

